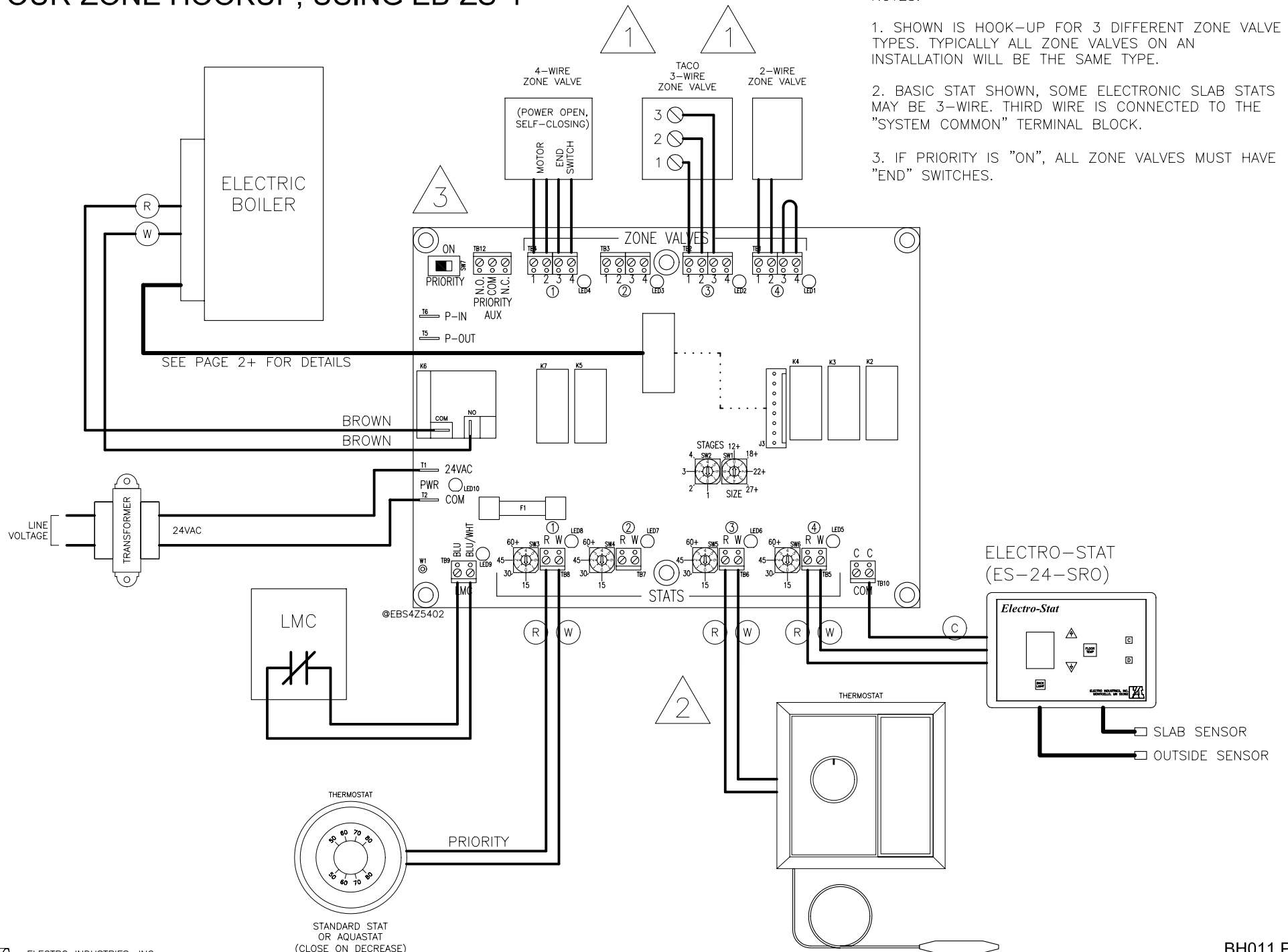


FOUR-ZONE HOOKUP, USING EB-ZS-4

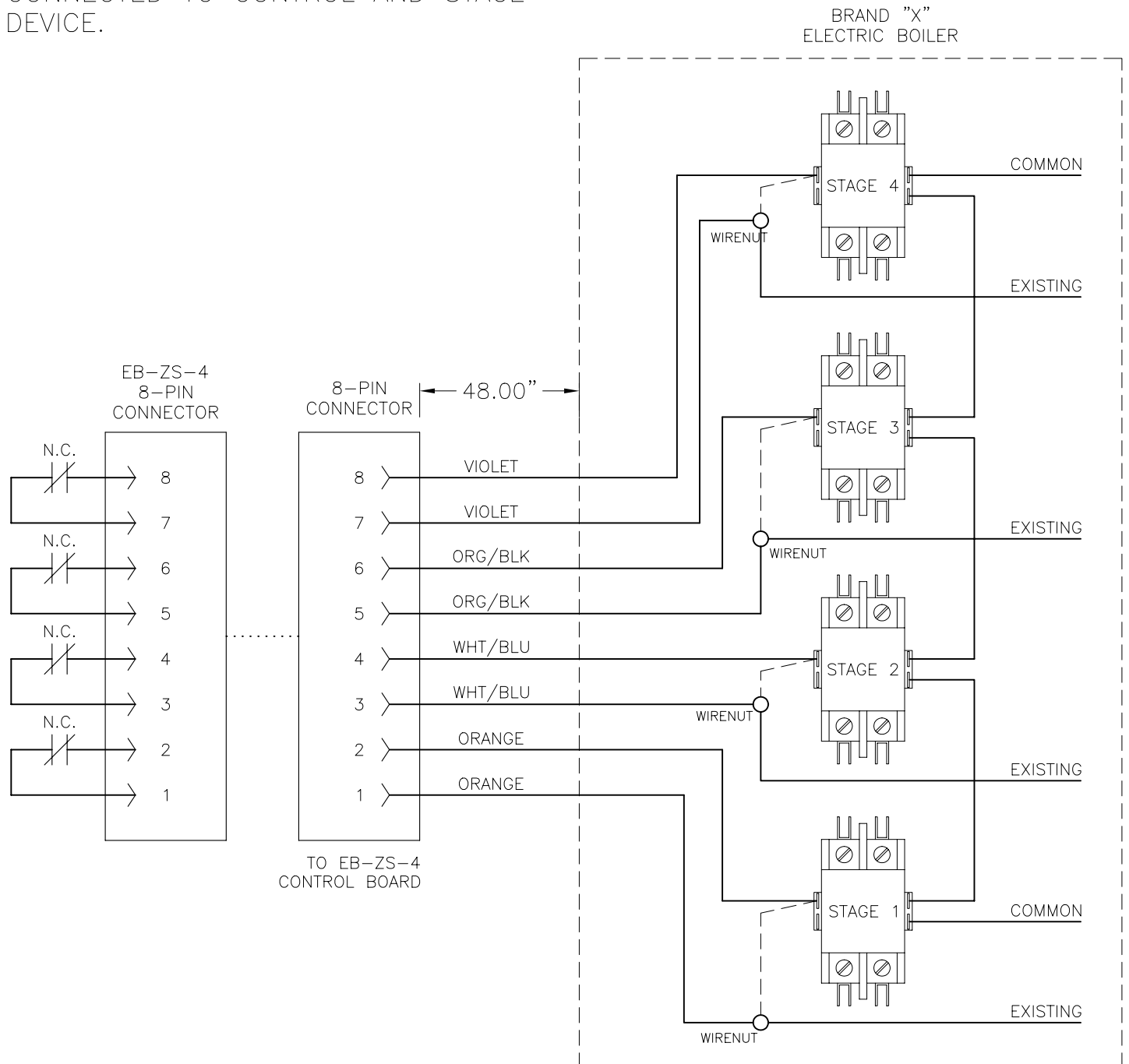


NOTES:

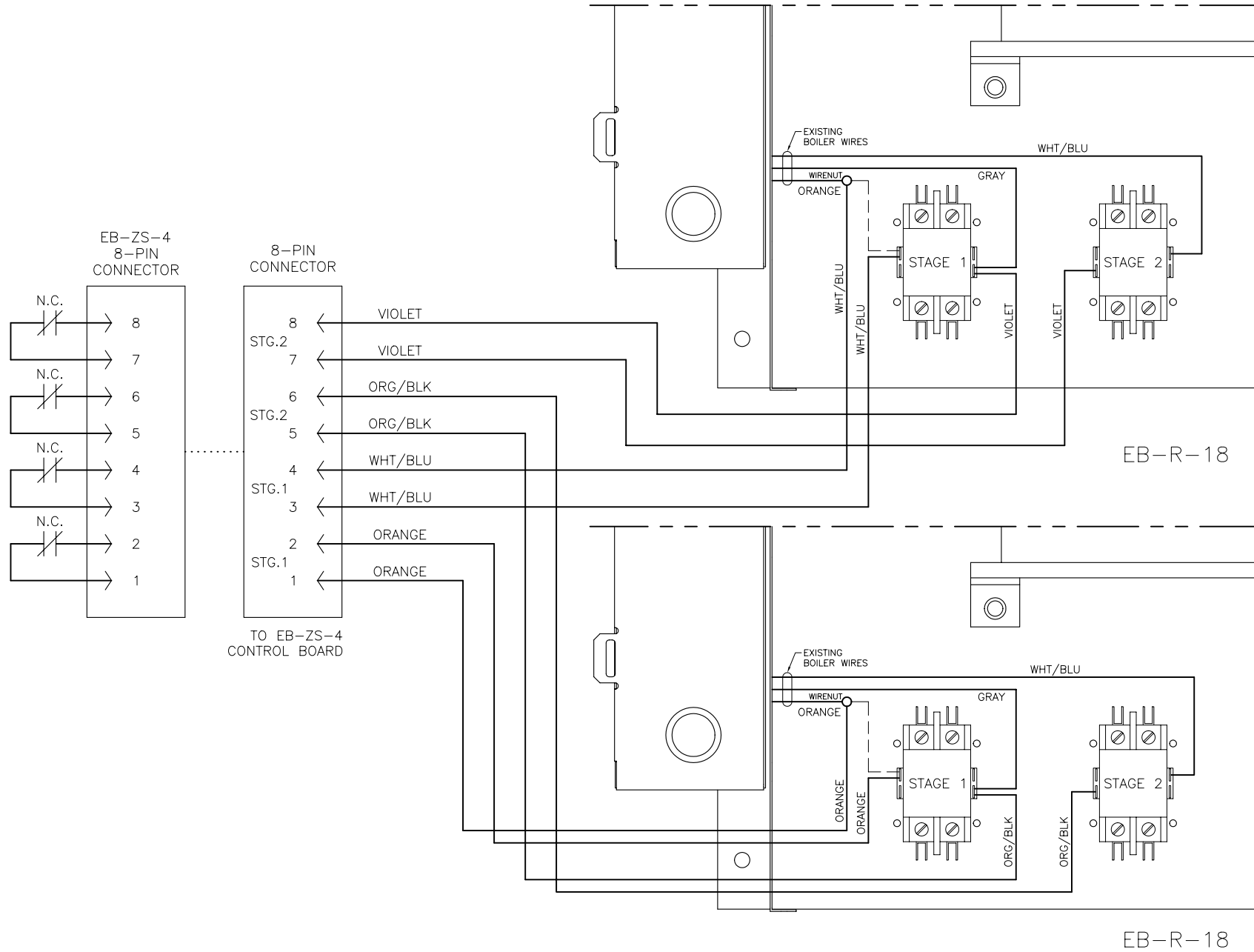
1. SHOWN IS HOOK-UP FOR 3 DIFFERENT ZONE VALVE TYPES. TYPICALLY ALL ZONE VALVES ON AN INSTALLATION WILL BE THE SAME TYPE.
2. BASIC STAT SHOWN, SOME ELECTRONIC SLAB STATS MAY BE 3-WIRE. THIRD WIRE IS CONNECTED TO THE "SYSTEM COMMON" TERMINAL BLOCK.
3. IF PRIORITY IS "ON", ALL ZONE VALVES MUST HAVE "END" SWITCHES.

BASIC HOOKUP, USING EB-ZS-4

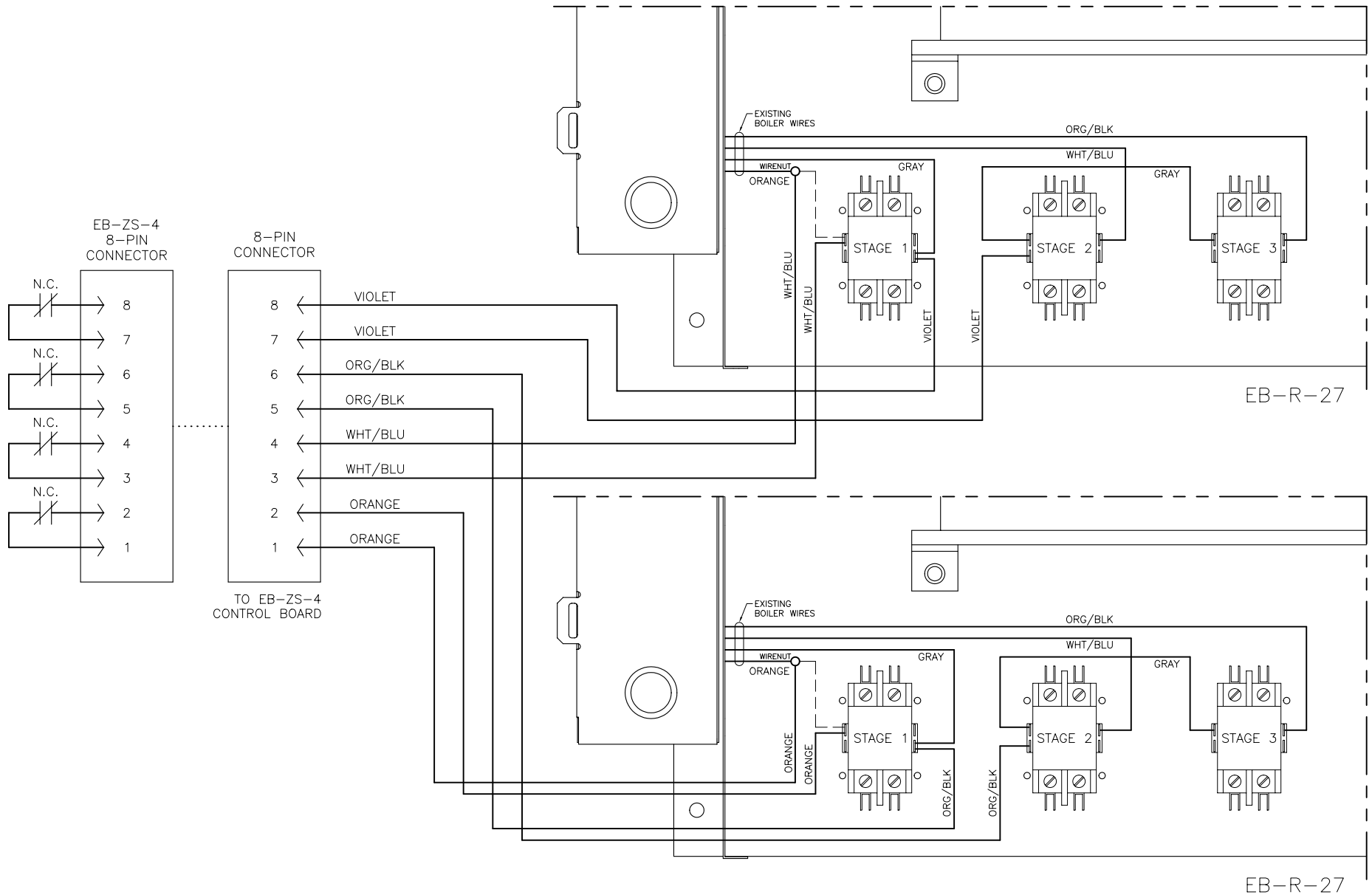
BRAND "X" BOILER CAN HAVE STAGING RELAYS OR SEQUENCERS. EACH WIRE PAIR (SAME COLOR) IS SIMPLY CONNECTED TO CONTROL AND STAGE DEVICE.



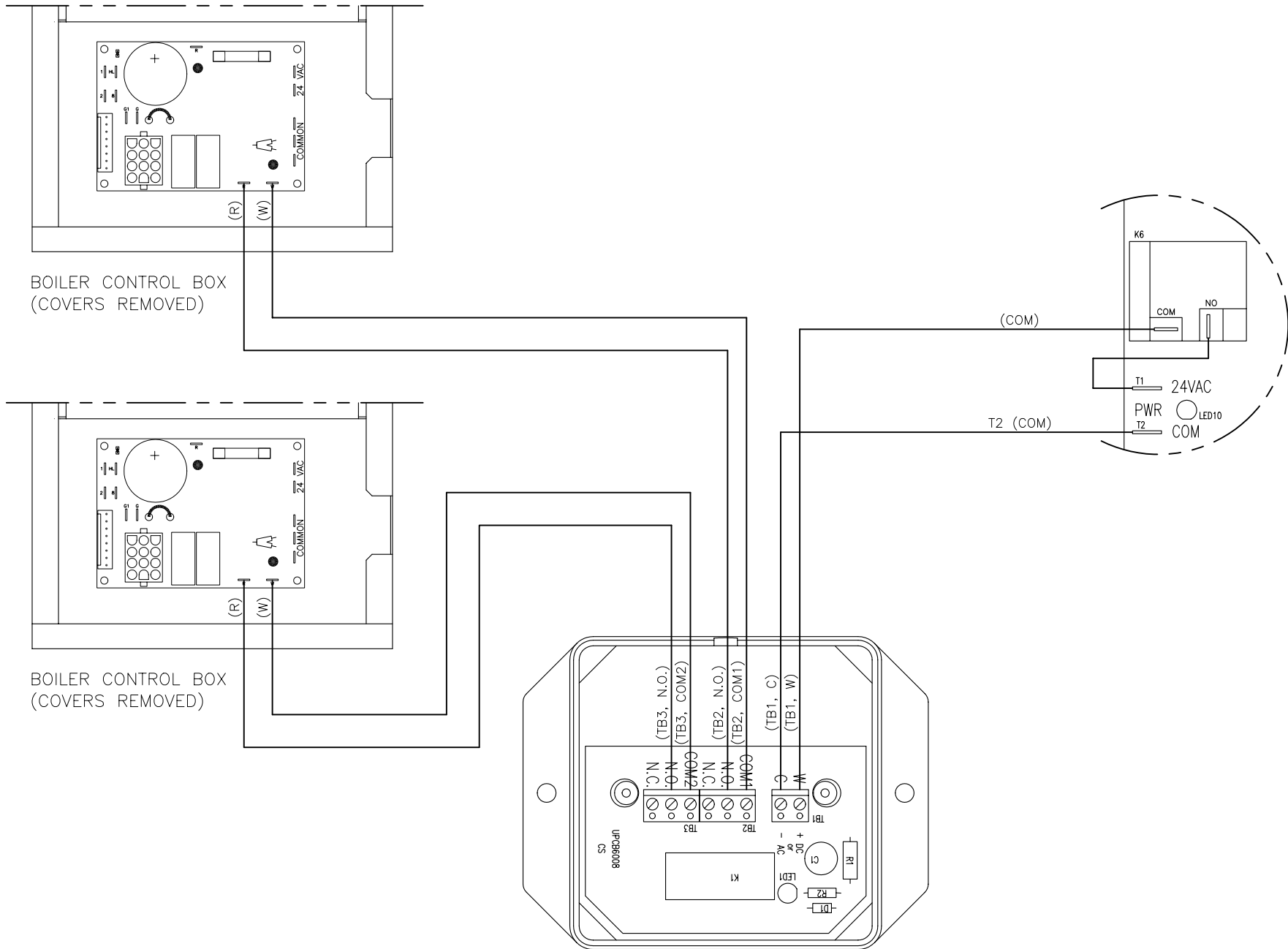
EB-R BOILER HOOKUP, USING EB-ZS-4 TWO ELECTRO-BOILER EB-R-13 OR EB-R-18



EB-R BOILER HOOKUP, USING EB-ZS-4 TWO ELECTRO-BOILER EB-R-23 OR EB-R-27

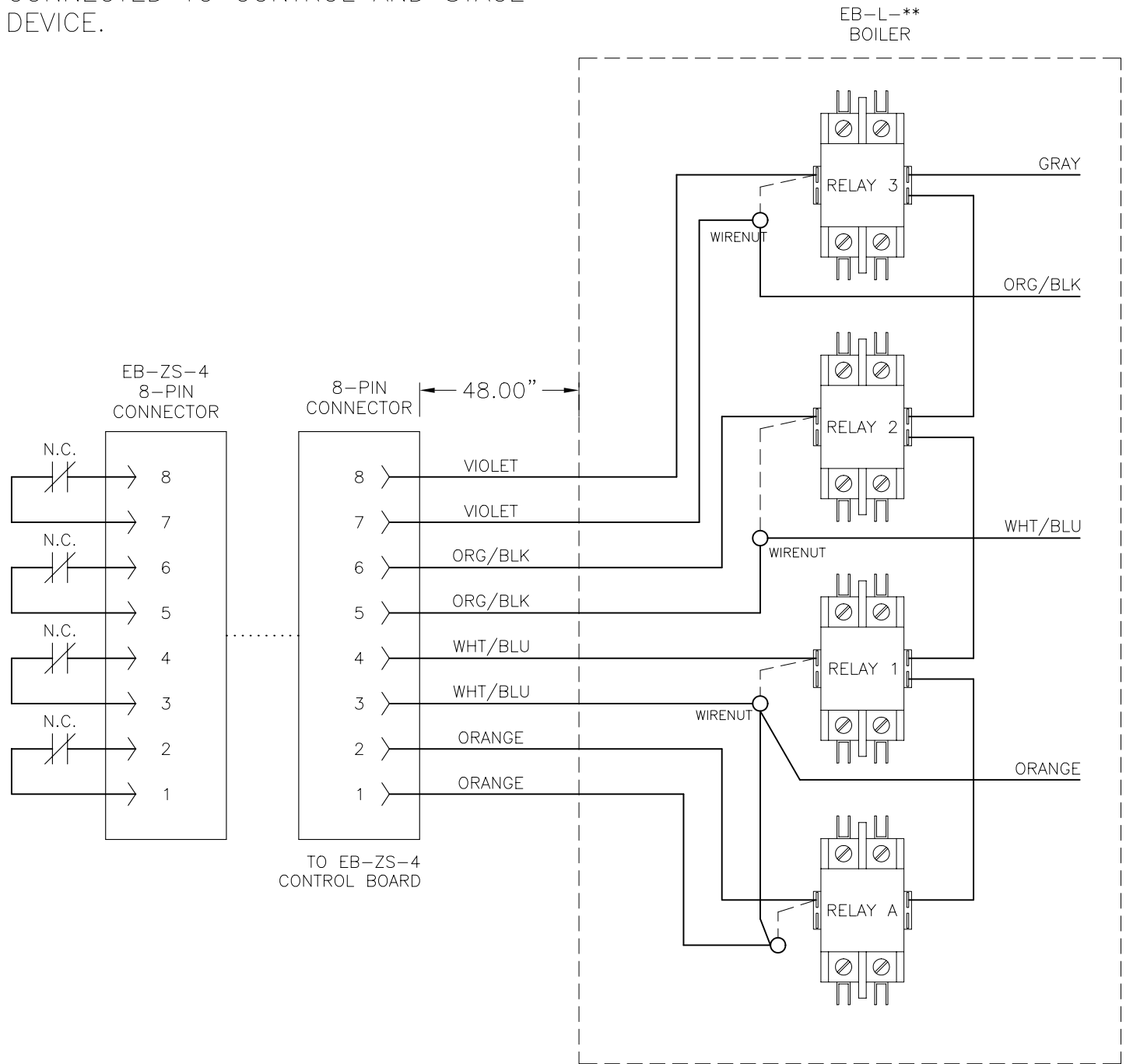


EB-R BOILER HOOKUP, USING EB-ZS-4 TWO ELECTRO-BOILER EB-R-**



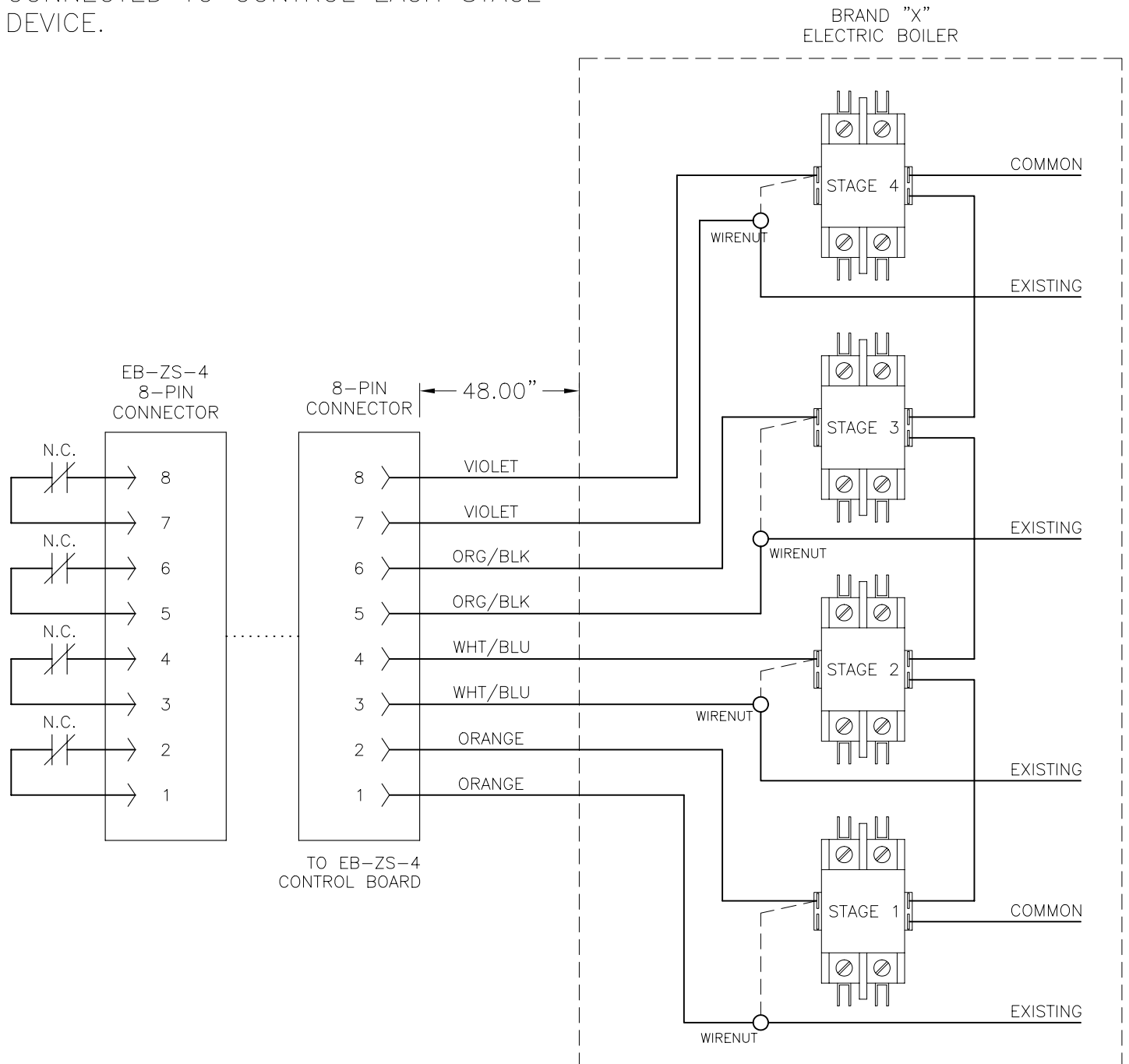
EB-L SERIES HOOKUP

BRAND "X" BOILER CAN HAVE STAGING RELAYS OR SEQUENCERS. EACH WIRE PAIR (SAME COLOR) IS SIMPLY CONNECTED TO CONTROL AND STAGE DEVICE.

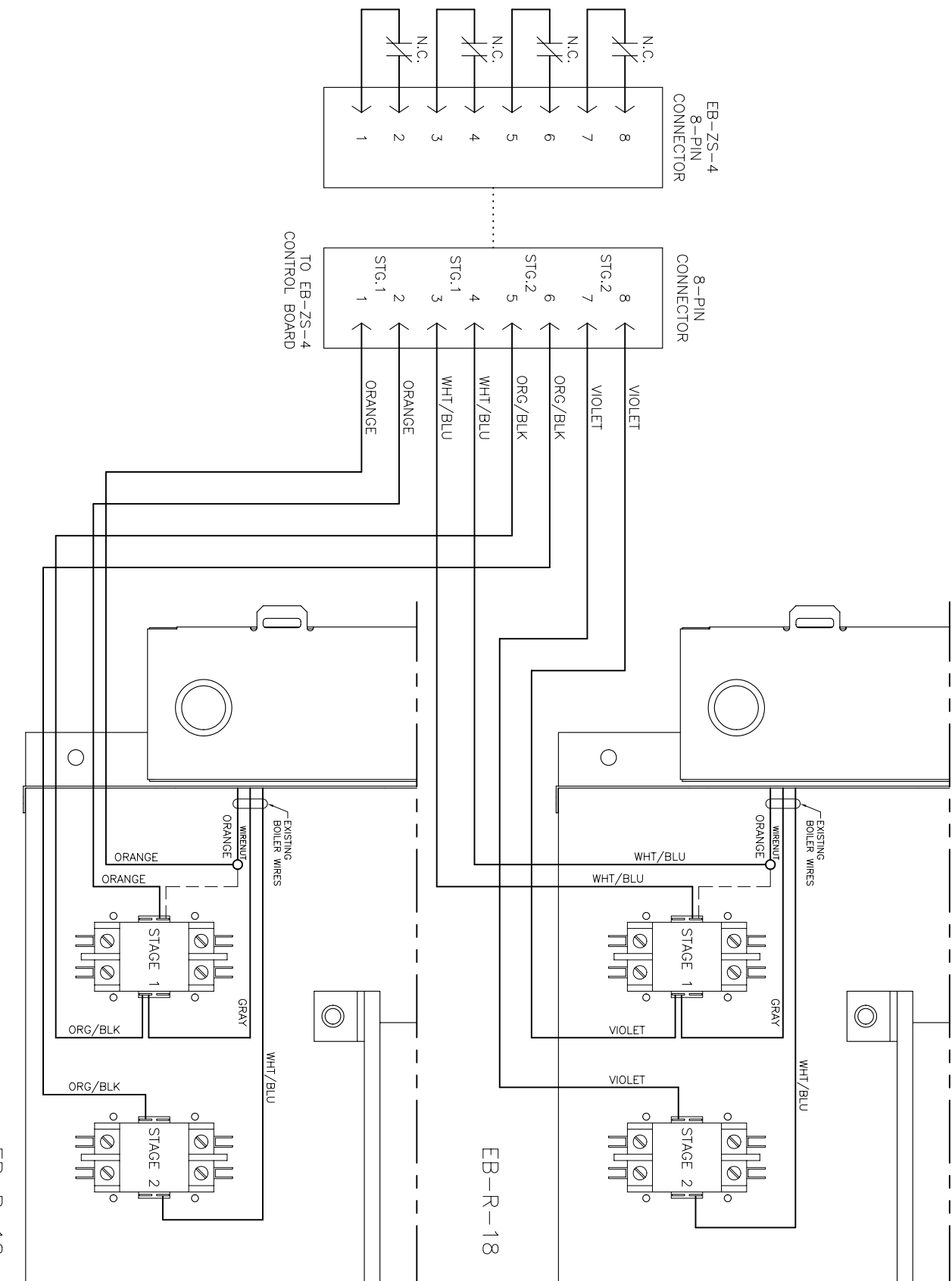


BASIC HOOKUP, USING EB-ZS-4

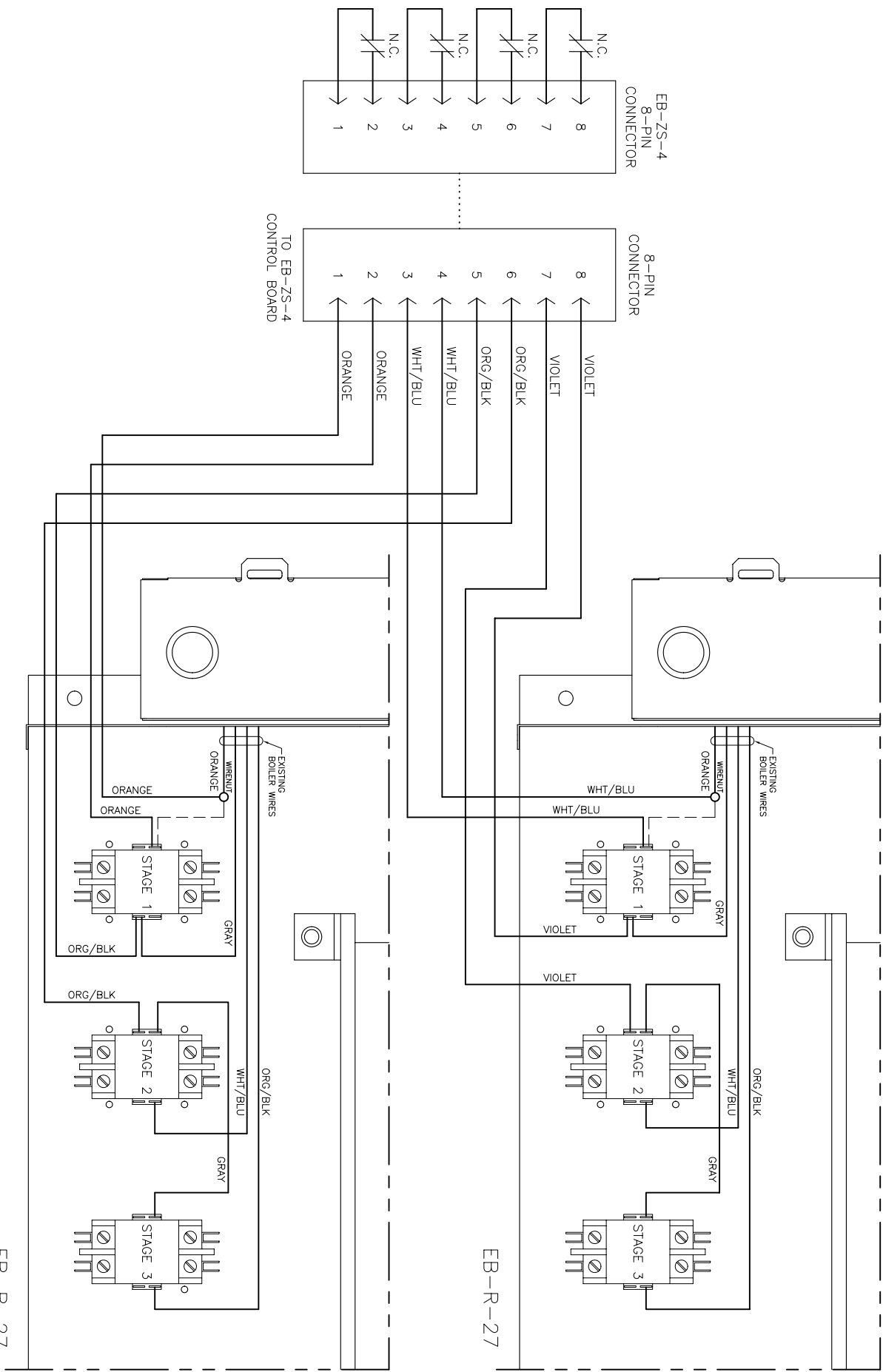
BRAND "X" BOILER CAN HAVE STAGING RELAYS OR SEQUENCERS. EACH WIRE PAIR (SAME COLOR) IS SIMPLY CONNECTED TO CONTROL EACH STAGE DEVICE.



EB-R BOILER HOOKUP, USING EB-ZS-4 TWO ELECTRO-BOILER EB-R-13 OR EB-R-18



EB-R BOILER HOOKUP, USING EB-ZS-4 TWO ELECTRO-BOILER EB-R-23 OR EB-R-27

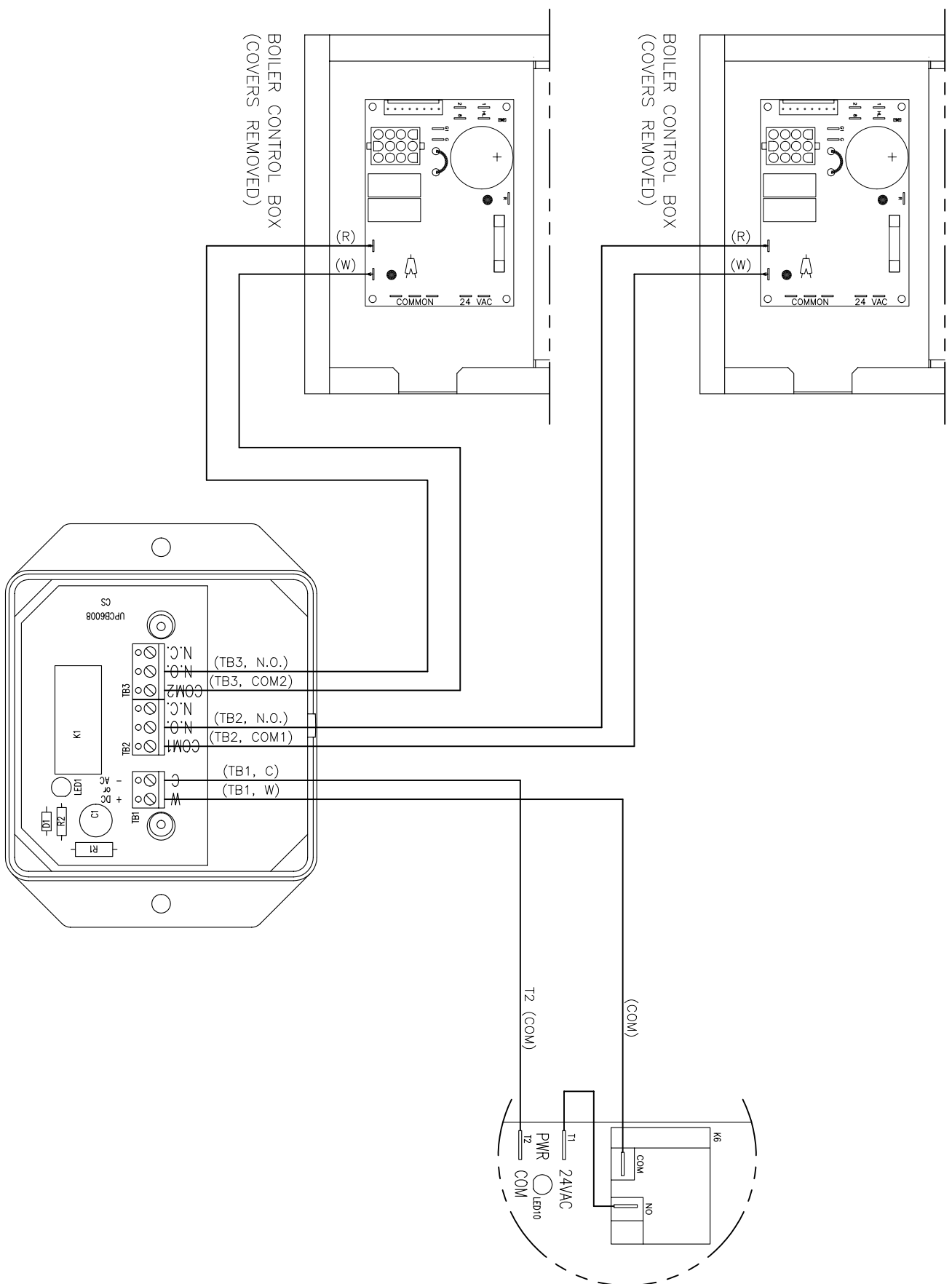


ELECTRO INDUSTRIES, INC.
MONTICELLO, MN 55362

EB-R-27

BH011 P4
rev. B 03-25-03

EB-R BOILER HOOKUP, USING EB-ZS-4 TWO ELECTRO-BOILER EB-R.**



EB-L SERIES HOOKUP

